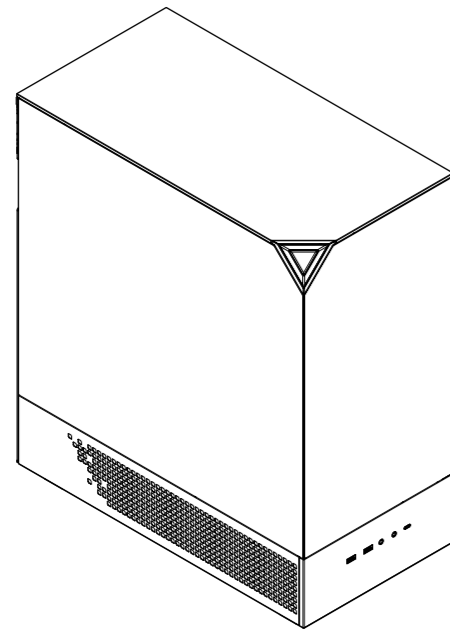


**iBUYPOWER**  
Element 9



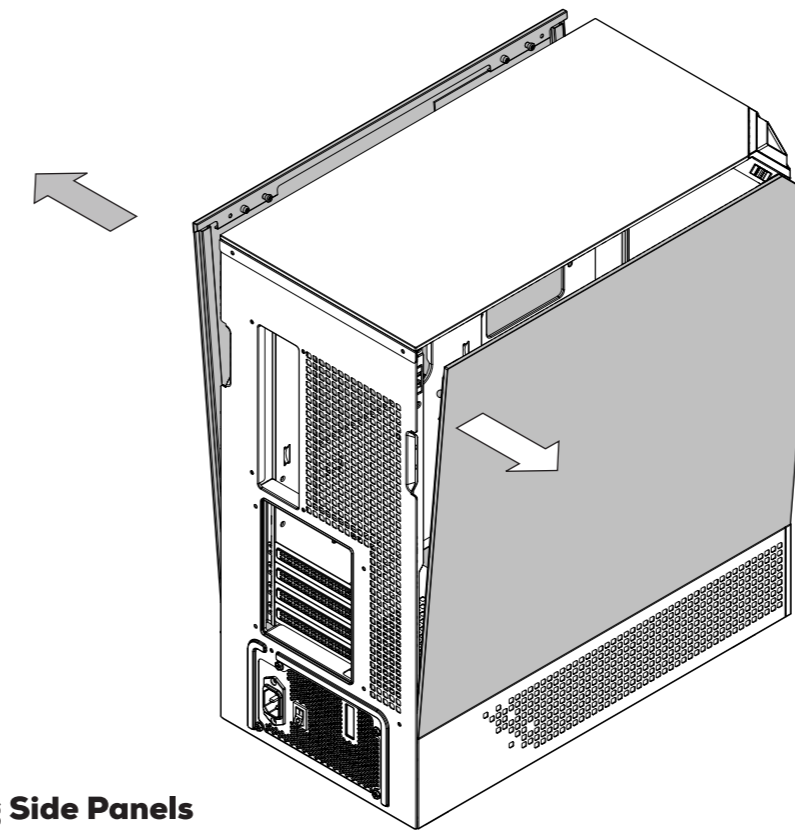
Thank you for purchasing an iBUYPOWER Element 9 Case. These instructions should help you with assembly and upgrades, whether these cases were purchased standalone or configured with an iBUYPOWER Gaming PC.

**Package Includes**

- Case
- Assembly Screws
- Instruction Manual
- Zip Ties

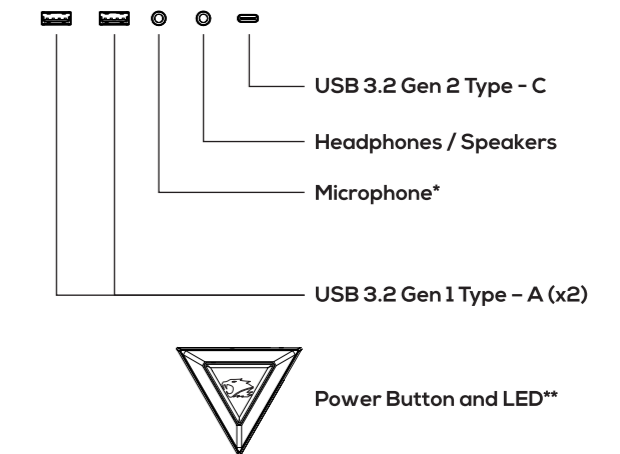
**Spec and Package Contents**

Material	ABS, Steel, Tempered Glass
Color	Black/White
Dimensions	442 mm x 230 mm x 507 mm
Motherboard Sizes	ITX, mATX, ATX
Cooling System	Side: 3x 120 mm aRGB Fans (included) Rear: 1x 120 mm aRGB Fans (included) PSU Shroud: 3x 120 mm Fans
Radiator Support	Side: 360/240/120 mm Rear: 120 mm
Clearance	GPU Length: 415 mm PSU Length: 230 mm CPU Cooler Height: 165 mm
Expansion Slots	7
Internal 3.5	2
Internal 2.5	2
Front Panel I/O	USB 3.2 Gen 1 Type A x 2 USB 3.2 Gen 2 Type C x 1 Audio
Dust Filters	Side, Bottom (x3)



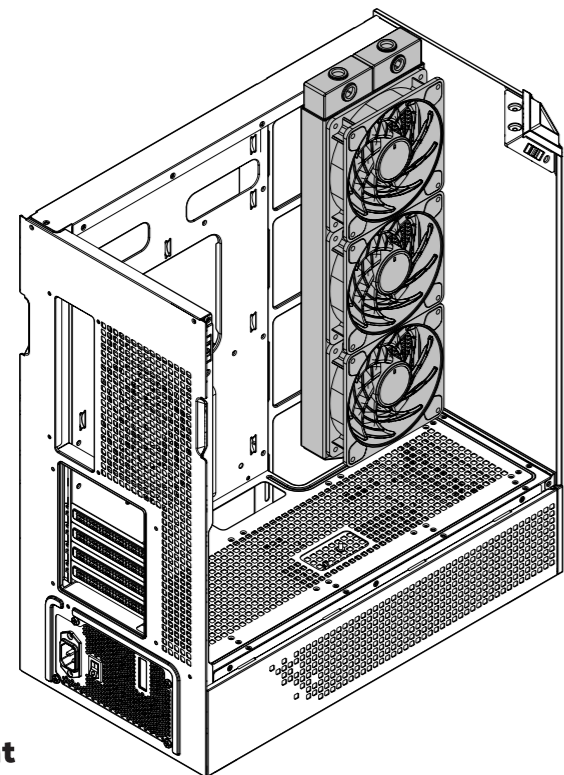
**Removing Side Panels**

Both side panels can be removed by pulling away from the PC on tabs located at the rear of the case.



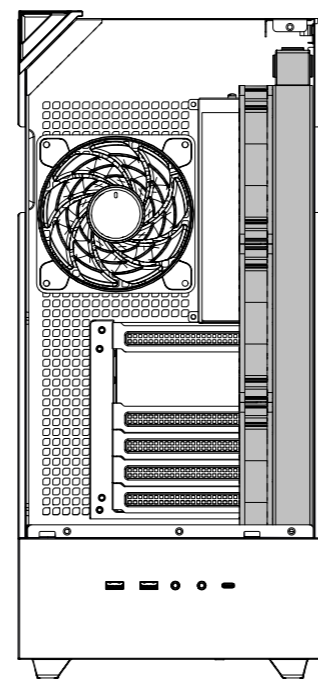
**Front Panel I/O**

\*Some headsets use a single plug for both audio output and mic input. A splitter cable will be needed to connect each plug separately.



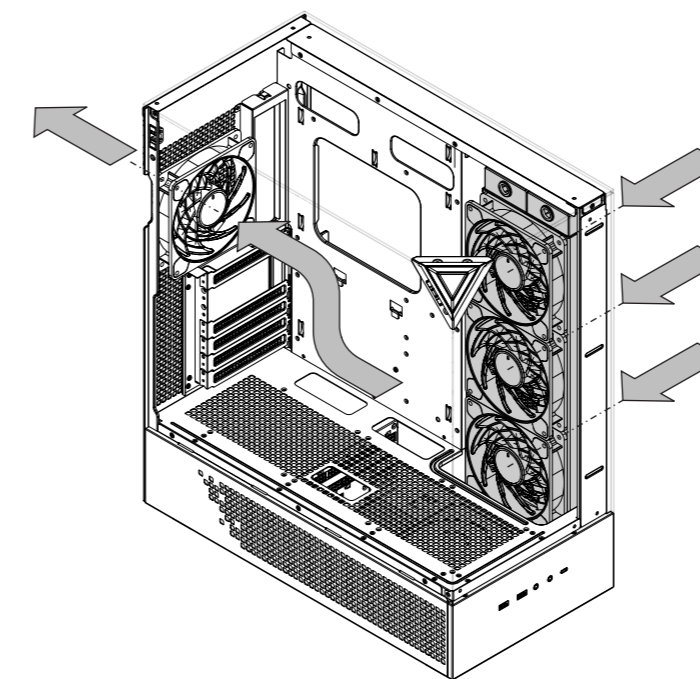
**Radiator Placement**

This case will fit up to a 360 mm radiator on the side of the case.



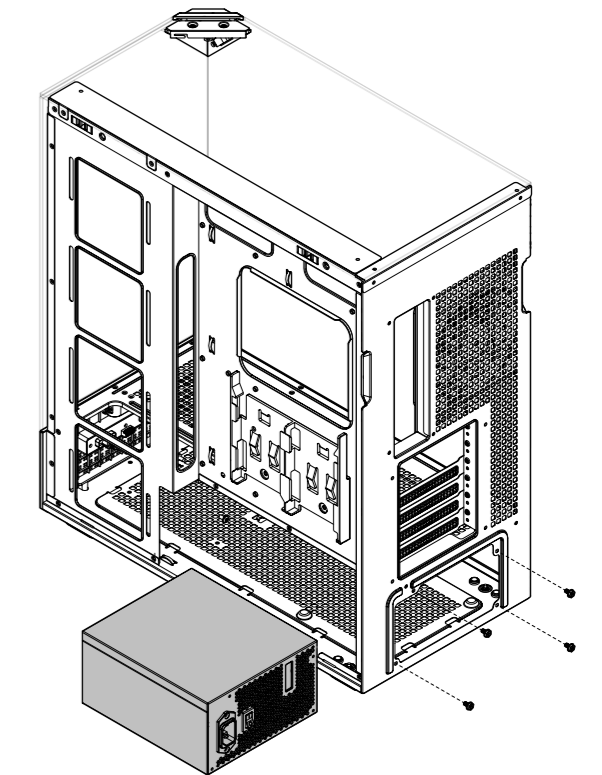
**Radiator Clearance**

The combined thickness of the radiator and fans should be less than 55 mm to avoid conflict with the graphics card.



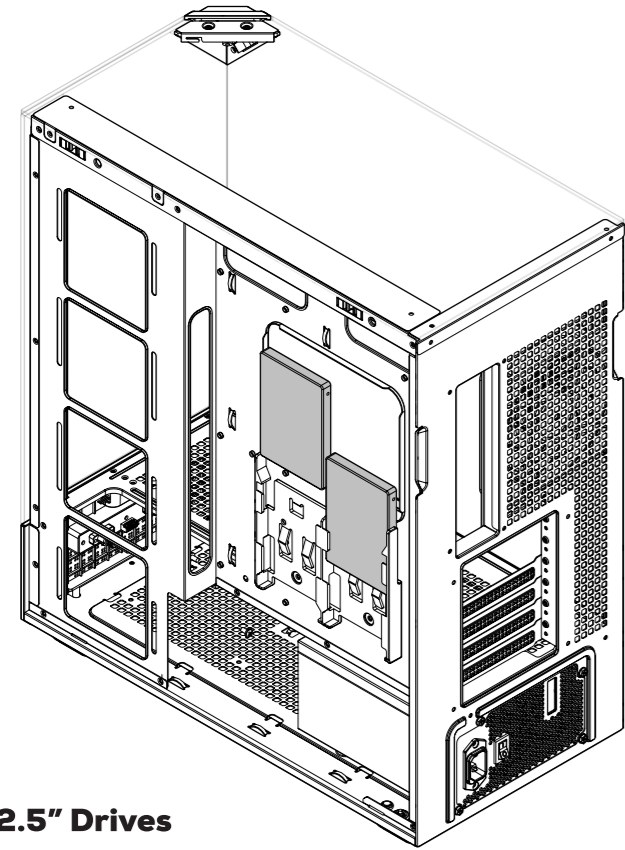
**Airflow**

iBUYPOWER recommends a balanced airflow configuration, with a close to equal numbers of intake and exhaust fans. Fans should be positioned to move air rearwards and upwards in the case.



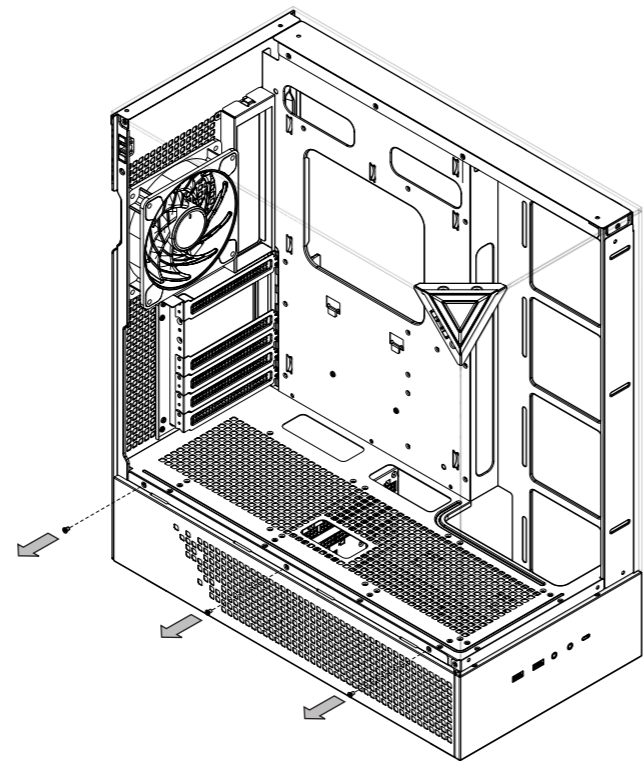
**Installing PSU**

The power supply installs through the cable management side of the case. There are 4 screws at the rear to hold it in place.



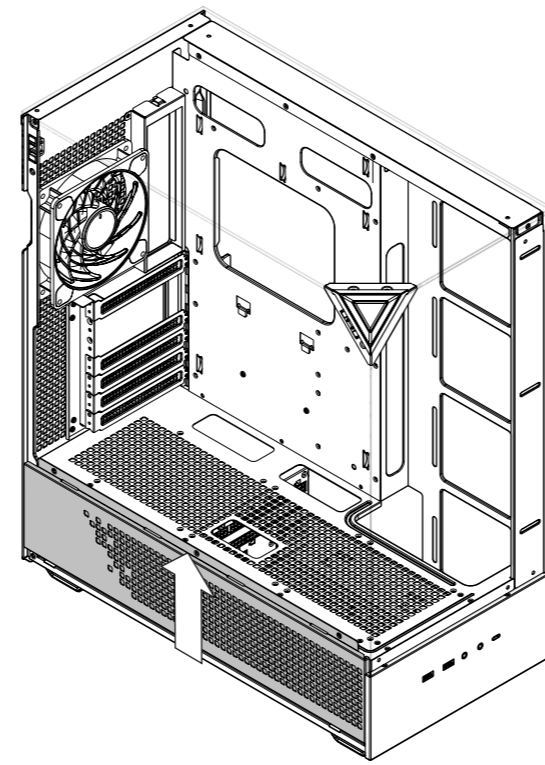
### Installing 2.5" Drives

2.5" Drives mount behind the motherboard tray in a plastic holder. The drives snap into place by pushing them downwards. They may be removed by pulling on the clips then pushing the drive upwards.

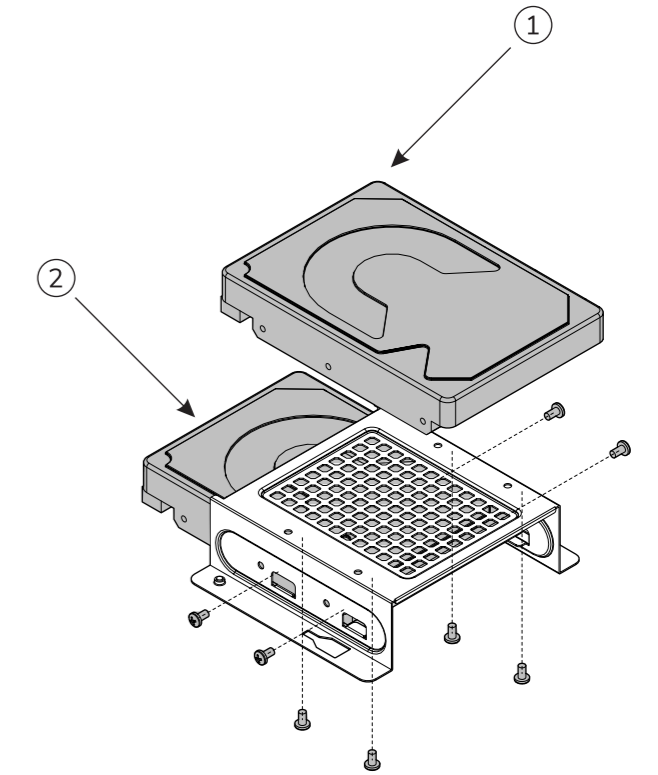
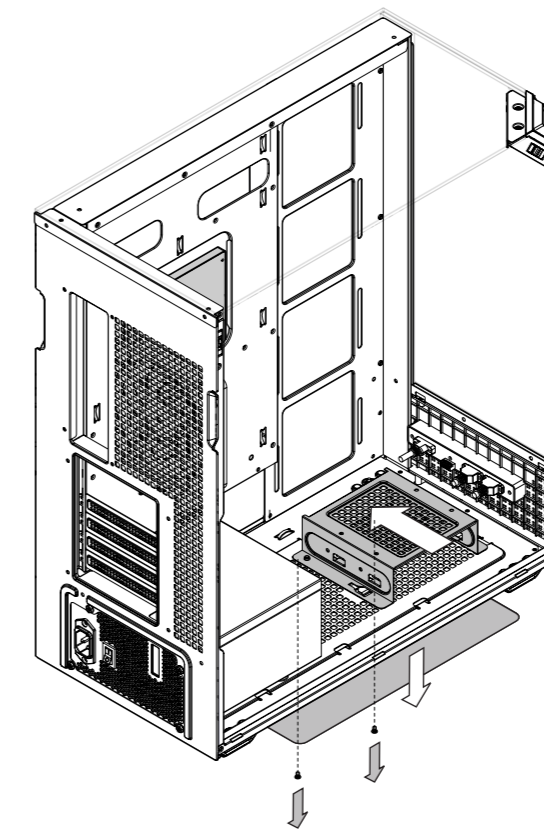


### Installing 3.5" Drives

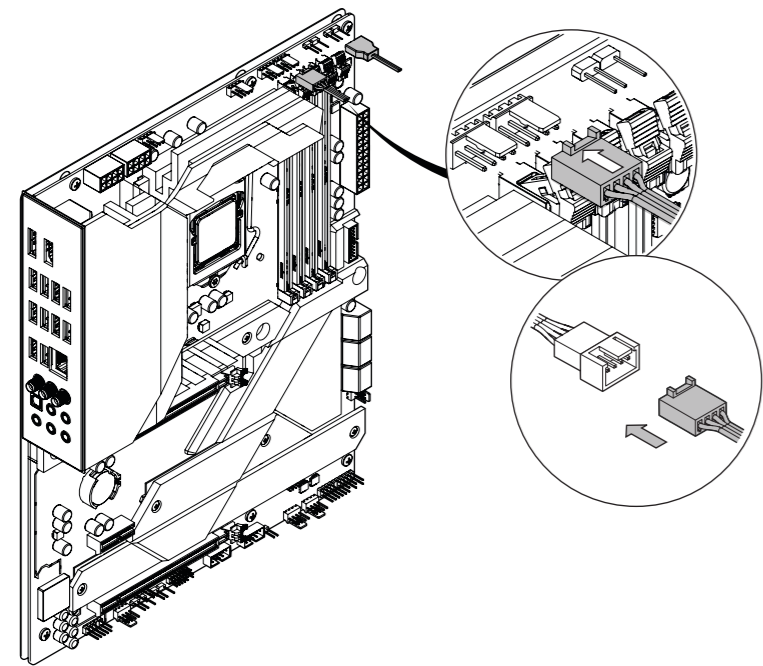
The cage can be accessed by unscrewing 3 screws on the upper edge of power supply cover and slide the panel upwards until it is free.



To release the cage, remove the bottom dust filter and 2 screws holding the cage in place. Slide the drive inwards until it stops, then lift to remove.

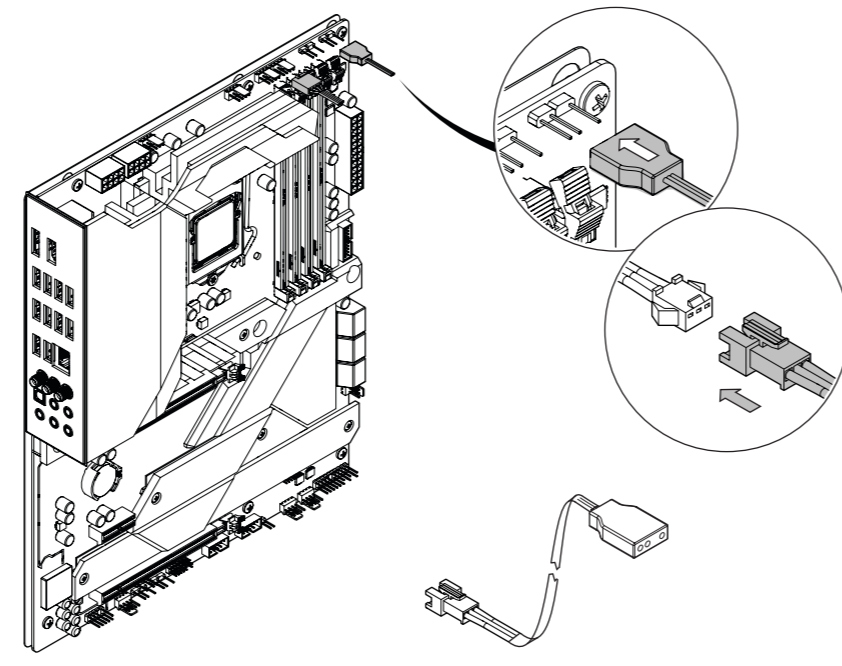


The upper drive should be installed first using screws from the bottom, followed by the lower drive using screws from the side.



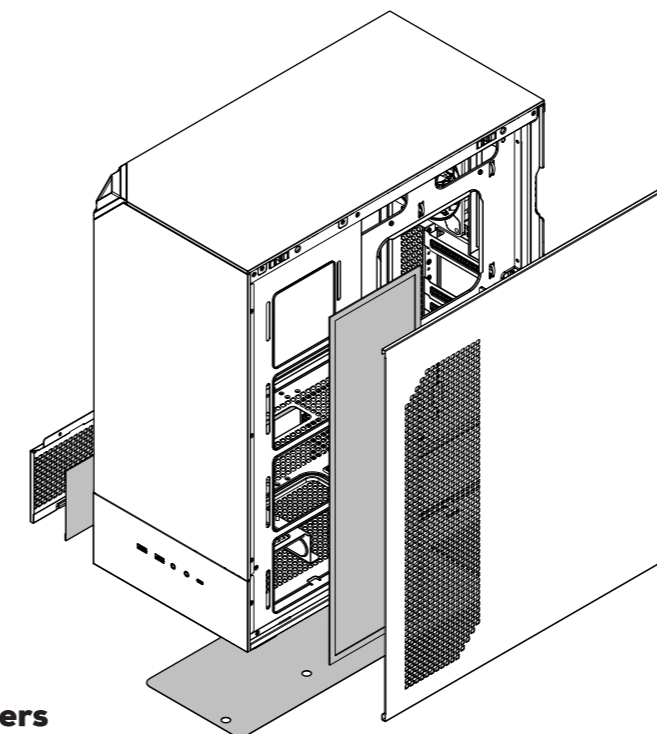
### Wiring Fans

The case comes by default with 4 aRGB fans that connect with daisy-chained standard connectors. To power the fans there are PWM cables that connect to the motherboard. The connector provides both power and RPM signal and can be chained together up to 4 fans on a single header.



### Wiring aRGB

The fans in this case feature addressable RGB LEDs. They receive their signal from a standard addressable RGB header which should be connected to the motherboard. Each fan can daisy-chain to an additional fan. Plastic clips are used to keep the connectors together during transport.



### Dust Filters

The case features 3 dust filters. The side filter can be accessed by removing the metal side panel. The bottom power supply dust filter is held in place under the power supply and must be flexed to remove. The power supply shroud filters require removal of the side of the power supply shroud to access.

## HAVING TROUBLE? CONTACT US!

<https://www.ibuypower.com/support>

**TECHNICAL SUPPORT:**  
Mon-Fri: 8:30am - 5:00pm PST  
Toll Free: (888) 618-6040

**CUSTOMER SERVICE:**  
Mon-Fri: 8:30am - 5:30pm PST  
Toll Free: (888) 462-3899

Scan the QR code to earn rewards, gear and more!

